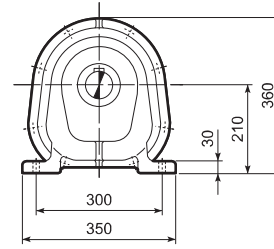
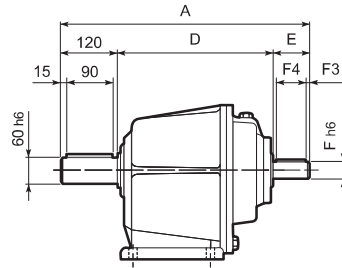
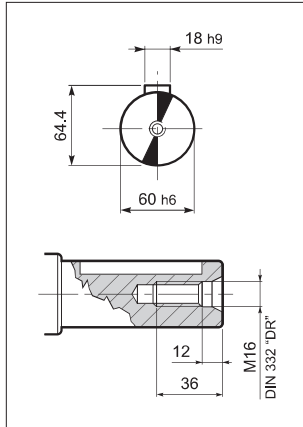
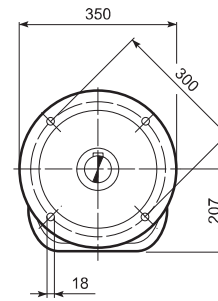
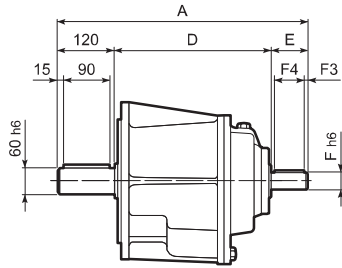
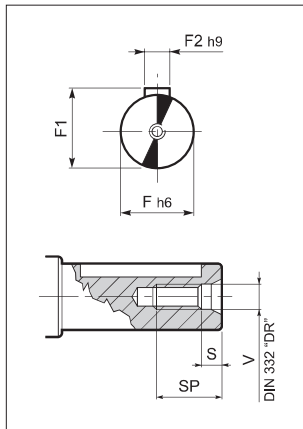


## OUTPUT





**P  
DP**

## INPUT



**F  
DF**

	AS 60											
	A	D	E	F	F1	F2	F3	F4	V	S	SP	
 AS 60 P_HS	575	345	110	42	45.3	12	10	90	M12	9.5	28	91
AS 60 DP_HS	535	335	80	38	41.3	10	10	60	M12	9.5	28	86
AS 60 F_HS	575	345	110	42	45.3	12	10	90	M12	9.5	28	91
AS 60 DF_HS	535	335	80	38	41.3	10	10	60	M12	9.5	28	86